



Nominal data

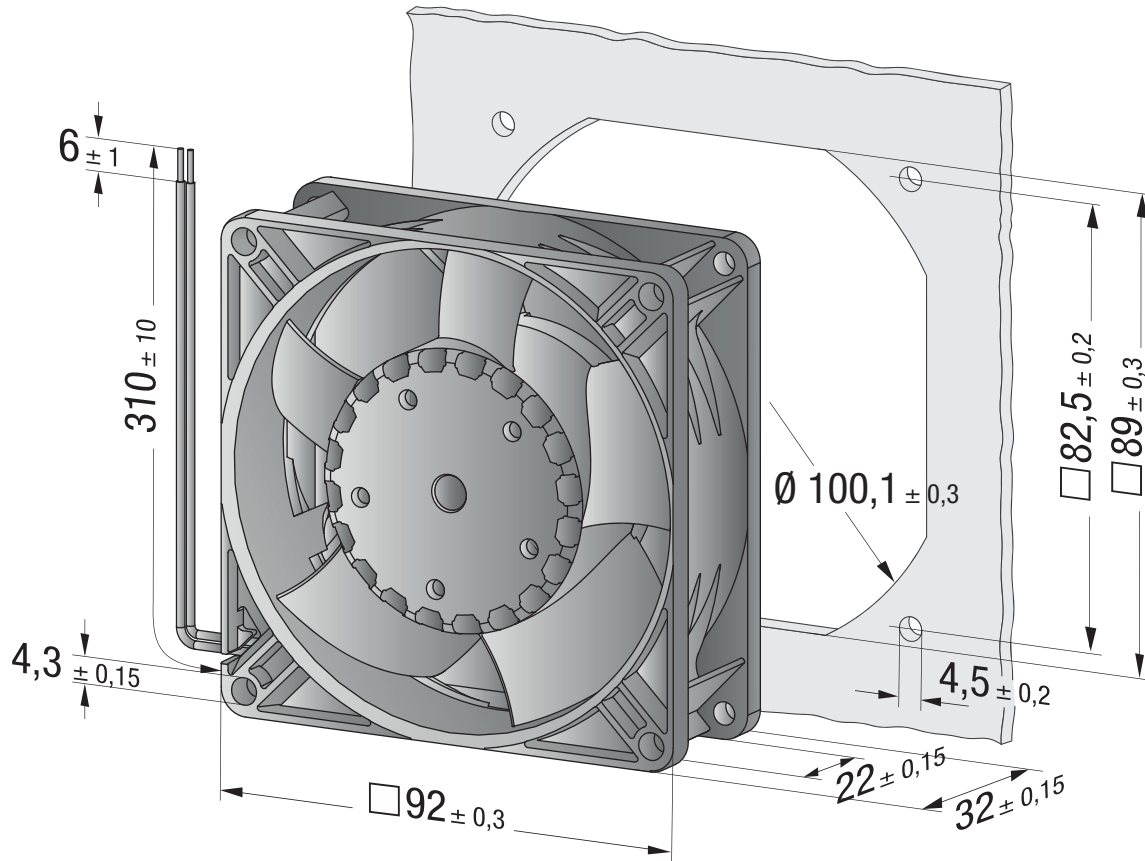
| Type | 3312 NH3 | |
|--------------------------|-------------------|---------|
| Nominal voltage | VDC | 12 |
| Nominal voltage range | VDC | 6 .. 14 |
| Speed (rpm) | min ⁻¹ | 4350 |
| Power consumption | W | 6.9 |
| Min. ambient temperature | °C | -20 |
| Max. ambient temperature | °C | 70 |
| Air flow | m ³ /h | 133 |
| Sound power level | B | 6.0 |
| Sound pressure level | dB(A) | 50 |

ml = Max. load · me = Max. efficiency · fa = Free air · cs = Customer specification · ce = Customer equipment
Subject to change

Technical description

| | |
|--|------------------------------------|
| Weight | 0.19 kg |
| Dimensions | 92 x 92 x 32 mm |
| Impeller material | Glass-fiber reinforced PA plastic |
| Housing material | Glass-fiber reinforced PBT plastic |
| Airflow direction | Exhaust over struts |
| Direction of rotation | Clockwise, viewed toward rotor |
| Bearing | Ball bearing |
| Service life L10 at 40 °C | 60.000 h |
| Service life L10 at maximum temperature | 30.000 h |
| Cable | With leads AWG 24 UL 1061, TR 64 |

Product drawing



Curves

